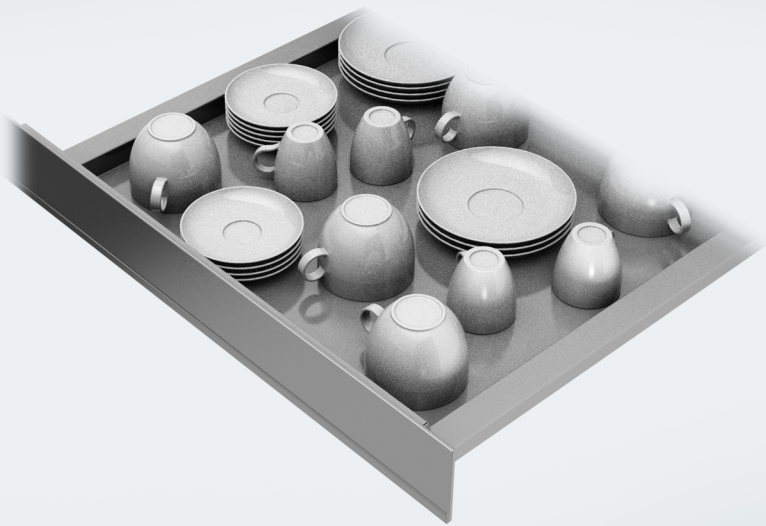


# Operating and installation instructions

## Plate warming drawer



To avoid the risk of accidents or damage to the appliance it is **essential** to read these instructions before it is installed and used for the first time.

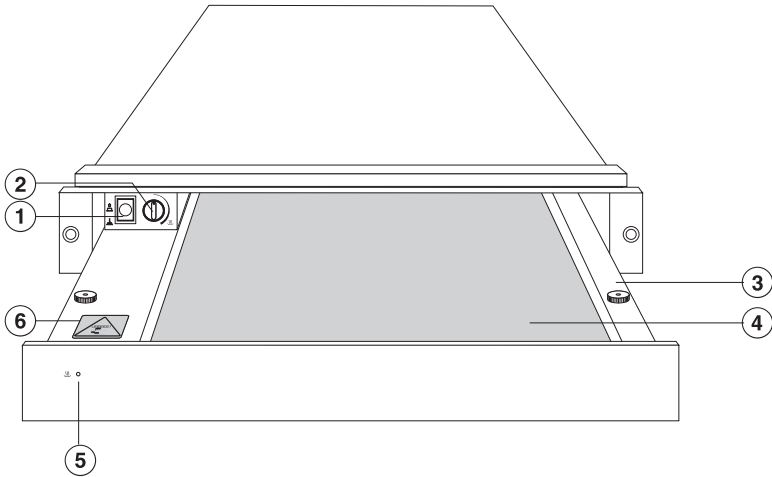
# Contents

---

<b>Guide to the appliance</b> .....	3
<b>Warning and Safety instructions</b> .....	4
<b>Caring for the environment</b> .....	11
<b>Before using for the first time</b> .....	12
<b>Operation</b> .....	13
Opening and closing the drawer .....	13
Controls .....	13
How to operate the drawer .....	14
Select a temperature .....	14
Heating up times .....	15
Capacity .....	16
<b>Cleaning and care</b> .....	17
Appliance front and interior .....	17
Anti-slip mat .....	18
<b>Problem solving guide</b> .....	19
<b>Optional accessories</b> .....	20
<b>Safety instructions for installation</b> .....	21
<b>Building-in dimensions</b> .....	22
<b>Installing the appliance</b> .....	23
<b>Aligning the front of the plate warming drawer</b> .....	24
<b>Electrical connection</b> .....	25
<b>After sales service, data plate, guarantee</b> .....	27

# Guide to the appliance

---



- ① On/Off switch (lights up)
- ② Temperature control
- ③ Warming drawer
- ④ Anti-slip mat
- ⑤ In-operation indicator
- ⑥ Warning sticker (Caution: Danger of burning on the heating element)

## Warning and Safety instructions

---

This appliance complies with all relevant safety requirements. Inappropriate use can, however, lead to personal injury and damage to property.

To avoid the risk of accidents and damage to the appliance, please read these instructions carefully before installation and before using it for the first time. They contain important notes on installation, safety, use and maintenance.

Miele cannot be held liable for damage caused by non-compliance with these Warning and Safety instructions.

Keep these instructions in a safe place and ensure that new users are familiar with the content. Pass them on to any future owner.

## Correct application

- ▶ The appliance is not designed for commercial use. It is intended for use in domestic households and similar working and residential environments.
- ▶ The appliance is not intended for outdoor use.
- ▶ It is intended for domestic use only as described in these operating instructions.  
Any other usage is not supported by the manufacturer and could be dangerous.
- ▶ The appliance can only be used by people with reduced physical, sensory or mental capabilities, or lack of experience and knowledge, if they are supervised whilst using it, or have been shown how to use it in a safe way and understand the hazards involved.

# Warning and Safety instructions

---

## Safety with children

- ▶ Children under 8 years of age must be kept away from the appliance unless they are constantly supervised.
- ▶ Children 8 years and older may only use the appliance unsupervised if they have been shown how to use it in a safe way and recognise and understand the consequences of incorrect operation.
- ▶ Children must not be allowed to clean the appliance unsupervised.
- ▶ Please supervise children in the vicinity of the appliance and do not let them play with it.
- ▶ This appliance is not a toy! To prevent the risk of injury, do not allow children to play with the appliance or its controls.
- ▶ The appliance gets hot when in use and remains hot for quite a while after it has been switched off. Keep children well away from the appliance until it has cooled down and there is no danger of burning.
- ▶ Danger of suffocation. Packaging, e.g. plastic wrappings, must be kept out of the reach of babies and children. Whilst playing, children could become entangled in packaging, or pull it over their head and suffocate.

## Technical safety

▶ Installation, maintenance and repairs may only be carried out by a Miele authorised service technician. Installation, maintenance and repairs by unqualified persons could be dangerous.

▶ A damaged appliance can be dangerous. Before installation, check the appliance for visible signs of damage. Do not use a damaged appliance.

▶ The electrical safety of this appliance can only be guaranteed when correctly earthed. It is most important that this basic safety requirement is observed and regularly tested, and where there is any doubt, the household wiring system should be inspected by a qualified electrician.

▶ To avoid the risk of damage to the appliance, make sure that the connection data (frequency and voltage) on the data plate corresponds to the household supply, before connecting the appliance to the mains supply.

Consult a qualified electrician if in any doubt.

▶ Do not connect the appliance to the mains electrical supply by a multi-socket adapter or extension lead. These are a fire hazard and do not guarantee the required safety of the appliance.

▶ For safety reasons, this appliance may only be used when it has been built in.

▶ This appliance must not be used in a non-stationary location (e.g. on a ship).

## Warning and Safety instructions

---

- ▶ Do not open the casing of the appliance. Tampering with electrical connections or components and mechanical parts is highly dangerous to the user and can cause operational faults.
- ▶ While the appliance is under guarantee, repairs should only be undertaken by a service technician authorised by Miele. Otherwise the guarantee is invalidated.
- ▶ Miele can only guarantee the safety of the appliance when original Miele replacement parts are used. Faulty components must only be replaced by genuine Miele original spare parts.
- ▶ If the plug is removed from the connection cable or if the appliance is supplied without a plug, the appliance must be connected to the electrical supply by a suitably qualified electrician.
- ▶ If the connection cable is damaged, it must be replaced by a suitably qualified electrician with a specialist connection cable of type H 05 VV-F ( pvc insulated), available from the Miele.
- ▶ The appliance must be disconnected from the mains electricity supply during installation, maintenance and repair work. Ensure that power is not supplied to the appliance until after it has been installed or until any maintenance or repair work has been carried out.
- ▶ In areas which may be subject to infestation by cockroaches or other vermin, pay particular attention to keeping the appliance and its surroundings clean at all times. Any damage caused by cockroaches or other vermin will not be covered by the guarantee.



### Correct use

- ▶ You could burn yourself on the hot drawer or crockery. Protect your hands with heat-resistant pot holders or gloves when handling hot dishes. Do not let them get wet or damp, as this causes heat to transfer through the material more quickly with the risk of scalding or burning yourself.
- ▶ Do not store any plastic containers or inflammable objects in the warming drawer. They could melt or catch fire when the appliance is switched on, causing a fire hazard.
- ▶ Due to the high temperatures radiated, objects left near the appliance when it is in use could catch fire. Do not use the appliance to heat up the room.
- ▶ Never replace the anti-slip mat supplied with the appliance with paper kitchen towel or similar.
- ▶ If you overload the drawer, or sit or lean on it, the telescopic runners will be damaged. The telescopic runners can support a maximum load of 15 kg.
- ▶ If the appliance is installed behind a kitchen furniture door, it may only be used with the furniture door open. Only close the door if the appliance is switched off.
- ▶ Moisture in the food or drinks could cause corrosion damage to the drawer. Do not use the appliance to reheat, cook or keep food or drinks warm.

## Warning and Safety instructions

---

- ▶ Depending on the temperature selected and the length of time the appliance is being used, the inside of the drawer can get extremely hot during use, and remain hot for some time after being switched off. Be careful not to touch it when the drawer is open.
- ▶ To minimise the risk of burning yourself on the inside of the drawer, always pull it out as far as it will go before removing crockery.

### Cleaning and care

- ▶ Do not use a steam cleaning appliance to clean this appliance. The steam could reach electrical components and cause a short circuit.

### Disposal of the packing material

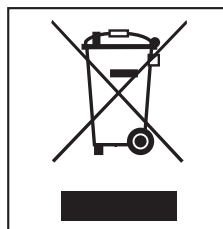
The packaging is designed to protect the appliance from damage during transportation. The packaging materials used are selected from materials which are environmentally friendly for disposal and should be recycled.

Recycling the packaging reduces the use of raw materials in the manufacturing process and also reduces the amount of waste in landfill sites.

Ensure that any plastic wrappings, bags etc. are disposed of safely and kept out of the reach of babies and young children. Danger of suffocation.

### Disposing of your old appliance

Electrical and electronic appliances often contain materials which, if handled or disposed of incorrectly, could be potentially hazardous to human health and to the environment. They are, however, essential for the correct functioning of your appliance. Please do not therefore dispose of it with your household waste.



Please dispose of it at your local community waste collection / recycling centre or contact your dealer for advice. Please ensure that it presents no danger for children while being stored for disposal.

## Before using for the first time

---

Please stick the extra data plate for the appliance supplied with this documentation in the space provided in the "After sales service, data plate, guarantee" section of this booklet.

### Cleaning and heating up for the first time

- Remove any protective foil.
- Remove the anti-slip mat from the drawer, and wipe the mat with warm water and a little washing-up liquid. Dry using a soft cloth.
- Wipe the appliance inside and out with a damp cloth only, and then dry with a soft cloth.
- Replace the anti-slip mat in the drawer.
- Then heat the empty drawer for at least two hours. Set the temperature control to maximum (see "Selecting a temperature").

The metal components have a protective coating which may give off a slight smell when heated up for the first time. The smell and any vapours will dissipate after a short time, and do not indicate a faulty connection or appliance. Ensure that the kitchen is well ventilated.

Do not use the appliance to reheat, cook or keep food or drinks warm. Condensation from the food or drinks could lead to corrosion in the appliance.

Always use oven gloves to remove heated crockery from the drawer.

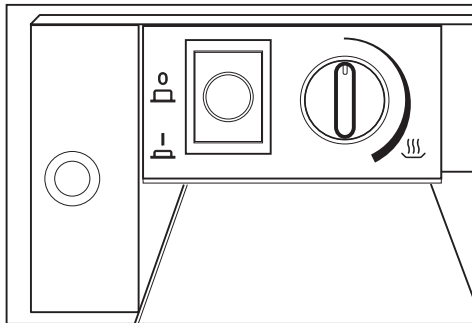
The maximum load bearing capacity of the appliance is 15 kg.

The base of the drawer is fitted with an anti-slip mat which stops crockery sliding about when the drawer is opened and closed.

## Opening and closing the drawer

The drawer can be opened and closed by pressing lightly in the middle of the drawer front.

## Controls




The controls consist of a temperature dial and an On/Off switch. These are only visible when the drawer is open. When the drawer is closed, you can tell when the appliance is switched on because the On/Off switch illuminates through a hole in the front of the drawer.

# Operation

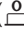
---

## How to operate the drawer

- Place the crockery inside the drawer.
- Select the temperature required.
- Switch on the appliance (  ).

The switch lights up.

- Close the drawer.

Switch the appliance off (  ) before removing the heated crockery.

Pull the drawer out to its full extent before unloading it.

## Select a temperature

The temperature dial allows you to select any temperature between approx. 30 and 50 °C.

The temperature selector must only be turned in a clockwise direction as far as it will go and then back again. Otherwise it will be damaged.

When the temperature is reached, the heating element switches itself off. When the temperature falls below that selected, the heating element switches on again automatically.

The optimum temperature for warming cups is approx. 40 °C. Drinks poured into warmed cups do not cool down so quickly, but cups are still not too hot to handle.

## Heating up times

Various factors will affect the heating up times:

- the material and thickness of the crockery
- maximum capacity
- how the crockery is arranged
- the temperature setting.

It is therefore not possible to state precise times.

However, the following information can be used as a guide:

At a temperature setting of approx. 50 °C, it takes approx. 30-40 minutes to heat crockery through to an even temperature.

As you use the plate warmer, you will get to know which setting suits your own needs best.

# Operation

---

## Capacity

The quantity that can be loaded will depend to a great extent on the type and size of your own crockery.

### Example

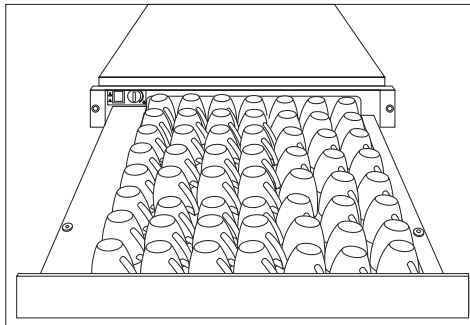
– 25 Cappuccino cups, Ø 88 mm

or

– 56 Espresso cups, Ø 60 mm

Place cups and glasses upside down in the drawer so that they warm through evenly.

The maximum load bearing capacity of the appliance is 15 kg.





 Danger of injury.

Do not use a steam cleaning appliance to clean this appliance. The steam could reach electrical components and cause a short circuit.

Danger of damage.

Unsuitable cleaning agents can damage the surfaces of the appliance. Only use domestic washing-up liquid to clean the appliance.

### Appliance front and interior

Remove any soiling immediately.

If this is not done, it might become impossible to remove and could cause the surfaces to alter or discolour.

Clean all surfaces with a clean sponge and a solution of hot water and washing-up liquid. Then dry with a soft cloth. A clean, damp microfibre E-cloth without cleaning agent can also be used.

All surfaces are susceptible to scratching. Scratches on glass surfaces could even cause a breakage.

Contact with unsuitable cleaning agents can alter or discolour the surfaces.

# Cleaning and care

---

**To avoid damaging the surfaces of your appliance, do not use:**

- cleaning agents containing soda, ammonia, acids or chlorides,
- cleaning agents containing descaling agents,
- abrasive cleaning agents, e.g. powder cleaners and cream cleaners,
- solvent-based cleaning agents,
- stainless steel cleaning agents,
- dishwasher cleaner,
- oven sprays,
- glass cleaning agents,
- hard, abrasive sponges and brushes, e.g. pot scourers,
- sharp metal scrapers.

## Anti-slip mat

The anti-slip mat can be removed for cleaning.

- Only clean the anti-slip mat by hand using a solution of hot water and a little washing up liquid, and then dry with a cloth.


Do not put the anti-slip mat back into the drawer until it is completely dry.

Do not wash the anti-slip mat in a dishwasher or washing machine.

Never place the anti-slip mat in the oven to dry.

## Problem solving guide

With the help of the following notes, minor faults in the performance of the appliance, some of which may result from incorrect operation, can be put right without contacting the Service Department.

 Installation work and repairs to electrical appliances must only be carried out by a suitably qualified person in strict accordance with current local and national safety regulations. Repairs and other work by unqualified persons could be dangerous. The manufacturer cannot be held liable for unauthorised work.

Problem	Possible cause	Remedy
<b>The appliance does not heat up.</b>	The appliance is not correctly plugged in and switched on at the mains socket.	Insert the plug and switch on at the socket.
	The mains fuse has tripped.	Reset the trip switch in the mains fuse box (minimum fuse rating - see data plate). If, after resetting the trip switch in the mains fuse box and switching the appliance back on, the appliance will still not heat up, contact a qualified electrician or the Miele Service Department.
<b>The crockery is not warm enough.</b>	The temperature setting is too low.	Select a higher temperature.
	The crockery has not been allowed to heat up for a sufficiently long time.	Various factors will affect how long the crockery will take to heat up (see "Heating up times").
<b>The crockery is too hot.</b>	The temperature control is faulty.	Switch the appliance off and call an electrician or the Miele Service Department.
<b>The On/Off switch does not light up when the appliance is switched on.</b>	The indicator light for the switch is defective.	Switch the appliance off and call an electrician or the Miele Service Department.

## Optional accessories

---

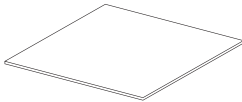
Miele offer a range of useful accessories as well as cleaning and conditioning products for your Miele appliances.

These can be ordered online at:



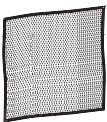
or from Miele (see back of manual for contact details)

### Anti-slip mat



The anti-slip mat keeps crockery securely in place.

### E-cloth (microfibre cloth)



Removes finger marks and light soiling.

## Safety instructions for installation

---

▶ Before connecting the appliance to the mains electricity supply make sure that the connection data on the data plate (voltage and frequency) correspond with the mains electricity supply.

This data must correspond in order to avoid the risk of damage to the appliance. Consult a qualified electrician if in any doubt.

▶ The socket and on-off switch should be easily accessible after the appliance has been built in.

▶ The plate warming drawer may only be built in in combination with those appliances quoted by Miele as being suitable. Miele cannot guarantee trouble-free operation if the appliance is operated in combination with appliances other than those quoted by Miele as being suitable.

▶ When building in the plate warming drawer in combination with another suitable appliance, the plate warming drawer must be fitted above a fixed interim shelf in the housing unit which can support both the weight of the plate warming drawer and that of the other appliance.

▶ As the combination appliance is placed directly on top of the plate warming drawer once it is built in, an interim shelf is not necessary between the two appliances.

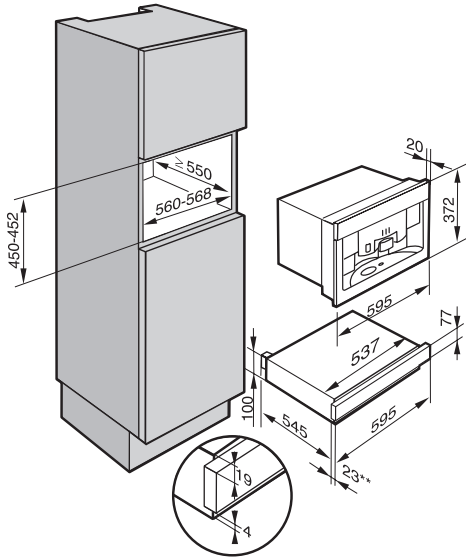
<p>When building in the combination appliance, it is essential to follow the instructions given in the operating and installation instructions supplied with the combination appliance.</p>
---

All dimensions in this instruction booklet are given in mm.

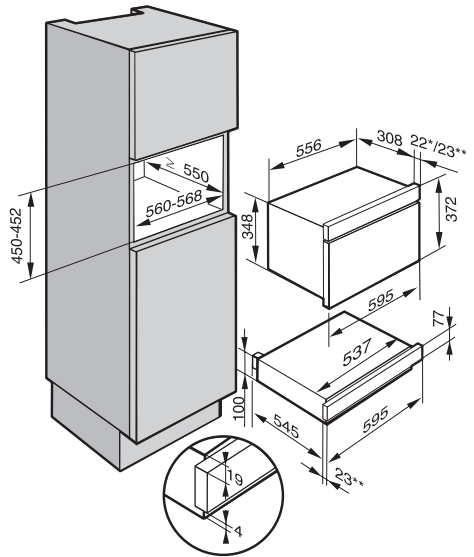
# Building-in dimensions

## Possible combinations

### Coffee machine



### Steam oven



\* Appliances with glass front

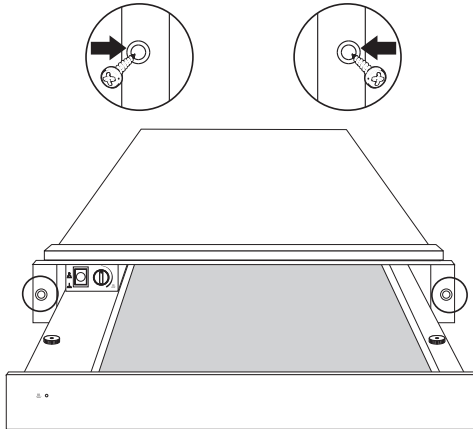
\*\* Appliances with metal front

## Installing the appliance

- Push the appliance into the housing unit as far as the vapour strip and align it.

Ensure that the housing unit is aligned at a right angle.

- Open the drawer, and use the 2 screws supplied to secure the appliance to the side walls of the housing unit.



- Build in the combination appliance in accordance with its own specific operating and installation instructions.

## Aligning the front of the plate warming drawer

---

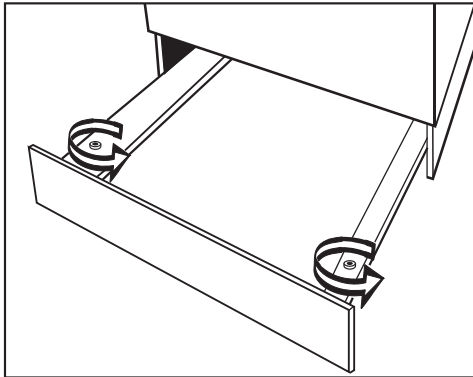
After building in the combination appliance, it may be necessary under certain circumstances to

- align the front of the plate warming drawer.
- align the gap between the plate warming drawer and the combination appliance.

To help you do this, there are adjusting points underneath the nuts which secure the drawer to the telescopic runners.

- Loosen the nuts and take the plate warming drawer out.

Use the adjusters to



- raise or lower the drawer
- align the front of the drawer.



All electrical work should be carried out by a suitably qualified and competent person, in strict accordance with current local and national safety regulations (BS 7671 in the UK).

Installation, repairs and other work by unqualified persons could be dangerous. The manufacturer cannot be held liable for unauthorised work.

Ensure power is not supplied to the appliance until after installation work has been carried out.

The appliance must only be operated when built-in. This is to ensure that all electrical parts are shielded. Live parts must not be exposed.

Do not connect the appliance to the mains electricity supply via an extension lead. These do not guarantee the required safety of the appliance.

Please ensure that the connection data quoted on the data plate match the household mains supply.

This appliance is supplied with a cable and moulded plug for connection to a suitable switched socket which should be easily accessible after installation.

It can, if necessary, be connected to a suitable isolator or a double pole fused spur connection unit which complies with national and local safety regulations by a suitably qualified electrician.

If the switch is not accessible after installation (depending on country) an additional means of disconnection must be provided for all poles.

For extra safety it is advisable to protect the appliance with a suitable residual current device.

When switched off there must be an all-pole contact gap of 3 mm in the isolator switch (including switch, fuses and relays).

# Electrical connection

---

## Important U.K. Connection to an isolator switch or double pole fused spur connection unit:

This appliance is supplied for connection to a single phase 230-240 V 50 Hz supply with a 3-core cable.

The wires in the mains lead are coloured in accordance with the following code:

Green/yellow = earth

Blue = neutral

Brown = live

## **WARNING: THIS APPLIANCE MUST BE EARTHED**

### Non-rewireable plugs BS 1363

The fuse cover must be refitted when changing the fuse, and if the fuse cover is lost, the plug must not be used until a suitable replacement is obtained. The colour of the correct replacement cover is that of the coloured insert in the base of the plug, or the colour that is embossed in words on the base of the plug (as applicable to the design of plug fitted).

Replacement fuses should be ASTA approved to BS 1362 and have the correct rating. Replacement fuses and fuse covers may be purchased from your local electrical supplier.

### Important

The electrical safety of this appliance can only be guaranteed when correctly earthed. It is most important that this basic safety requirement is observed and regularly tested and where there is any doubt the household wiring should be inspected by a qualified electrician. The manufacturer cannot be held liable for the consequences of an inadequate earthing system such as electric shock.

The manufacturer cannot be held liable for damage caused by incorrect installation or connection.

## After sales service, data plate, guarantee

---

In the event of any faults which you cannot remedy yourself, please contact:

– your Miele Dealer

or

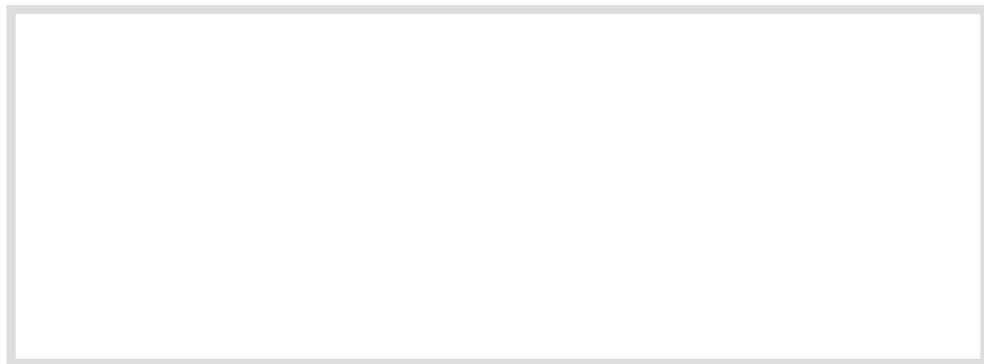
– Miele (see back of manual for contact details).

Please note that telephone calls may be monitored and recorded to improve our service.

When contacting Miele, please quote the model and serial number of your appliance. These are given on the data plate.

N.B. A call-out charge will be applied for service visits where the problem could have been resolved as described in these instructions.

Space in which to stick the extra data plate supplied with the appliance. Ensure that the model number is the same as the one on the front of these instructions.



### Guarantee

For information on the appliance guarantee specific to your country please contact Miele. See back of manual for contact details. In the UK, your appliance is guaranteed for 2 years from the date of purchase. However, you must activate your cover by calling 0845 365 6640 or registering online at [www.miele.co.uk](http://www.miele.co.uk).







## United Kingdom

Miele Co. Ltd.

Fairacres, Marcham Road

Abingdon, Oxon, OX14 1TW

Tel: 0845 365 0555

Customer Contact Centre Tel: 0845 365 6600

E-mail: [info@miele.co.uk](mailto:info@miele.co.uk)

Internet: [www.miele.co.uk](http://www.miele.co.uk)

## Australia

Miele Australia Pty. Ltd.

ABN 96 005 635 398

1 Gilbert Park Drive, Knoxfield, VIC 3180

Tel: 1300 464 353, Fax: (03) 9764 7149

Internet: [www.miele.com.au](http://www.miele.com.au)

## China

Miele (Shanghai) Trading Ltd.

1-3 Floor, No. 82 Shi Men Yi Road

Jing' an District

200040 Shanghai, PRC

Tel: +86 21 6157 3500, Fax: +86 21 6157 3511

E-mail: [info@miele.cn](mailto:info@miele.cn)

Internet: [www.miele.cn](http://www.miele.cn)

## Miele (Hong Kong) Limited

41/F - 4101, Manhattan Place

23 Wang Tai Road

Kowloon Bay

Hong Kong

Tel: (852) 2610 1331, Fax: (852) 2610 1013

Email: [mielehk@miele.com.hk](mailto:mielehk@miele.com.hk)

## India

Miele India Pvt. Ltd.

Ground Floor, Copia Corporate Suites

Plot No. 9, Jasola

New Delhi – 110025

Tel: 011-46 900 000, Fax: 011-46 900 001

E-mail: [customercare@miele.in](mailto:customercare@miele.in), Internet: [www.miele.in](http://www.miele.in)

## Ireland

Miele Ireland Ltd.

2024 Bianconi Avenue

Citywest Business Campus, Dublin 24

Tel: (01) 461 07 10, Fax: (01) 461 07 97

E-Mail: [info@miele.ie](mailto:info@miele.ie), Internet: [www.miele.ie](http://www.miele.ie)

**Manufacturer:** Miele & Cie. KG

Carl-Miele-Straße 29, 33332 Gütersloh, Germany

# Miele

## Malaysia

Miele Sdn Bhd

Suite 12-2, Level 12

Menara SapuraKencana Petroleum

Solaris Dutamas No. 1, Jalan Dutamas 1

50480 Kuala Lumpur, Malaysia

Phone: +603-6209-0288

Fax: +603-6205-3768

## New Zealand

Miele New Zealand Limited

8 College Hill

Freemans Bay, Auckland 1011, NZ

Tel: 0800 264 353, Fax: 0800 463 453

Internet: [www.miele.co.nz](http://www.miele.co.nz)

## Singapore

Miele Southeast Asia

Miele Pte. Ltd.

163 Penang Road

# 04 - 02/03 Winsland House II

Singapore 238463

Tel: +65 6735 1191, Fax: +65 6735 1161

E-Mail: [infosea@miele.com.sg](mailto:infosea@miele.com.sg)

Internet: [www.miele.sg](http://www.miele.sg)

## South Africa

Miele (Pty) Ltd

63 Peter Place, Bryanston 2194

P.O. Box 69434, Bryanston 2021

Tel: (011) 875 9000, Fax: (011) 875 9035

E-mail: [info@miele.co.za](mailto:info@miele.co.za)

Internet: [www.miele.co.za](http://www.miele.co.za)

## United Arab Emirates

Miele Appliances Ltd.

P.O. Box 11 47 82

Gold & Diamond Park

Sheikh Zayed Road

Building 6 / Offices Nos. 6-214 to 6-220

Dubai

Tel: +971-4-341 84 44

Fax: +971-4-341 88 52

E-Mail: [info@miele.ae](mailto:info@miele.ae), Internet: [www.miele.ae](http://www.miele.ae)

EGW 6210



en - GB

M.-Nr. 09 572 130 / 01